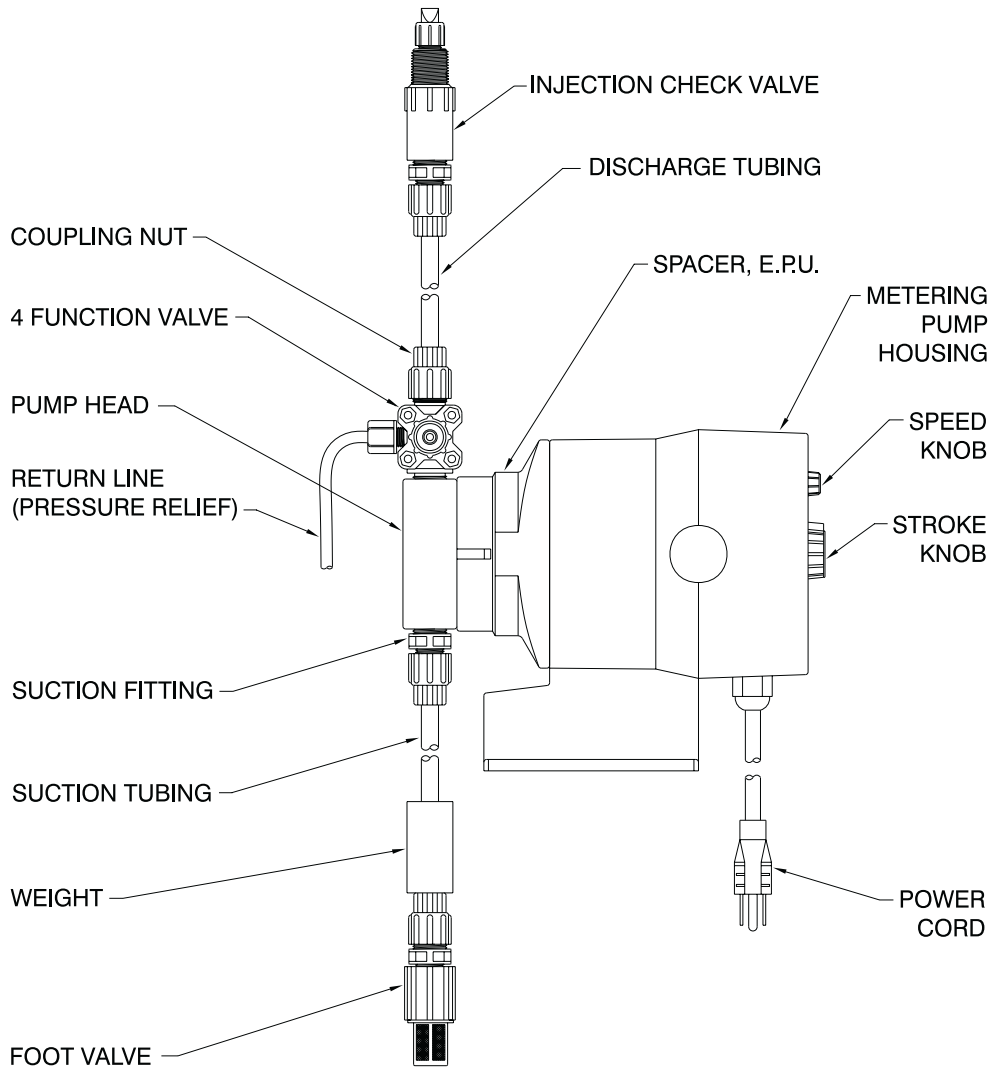


# Instruction **Supplement**



Series A1

## Electronic Metering Pump



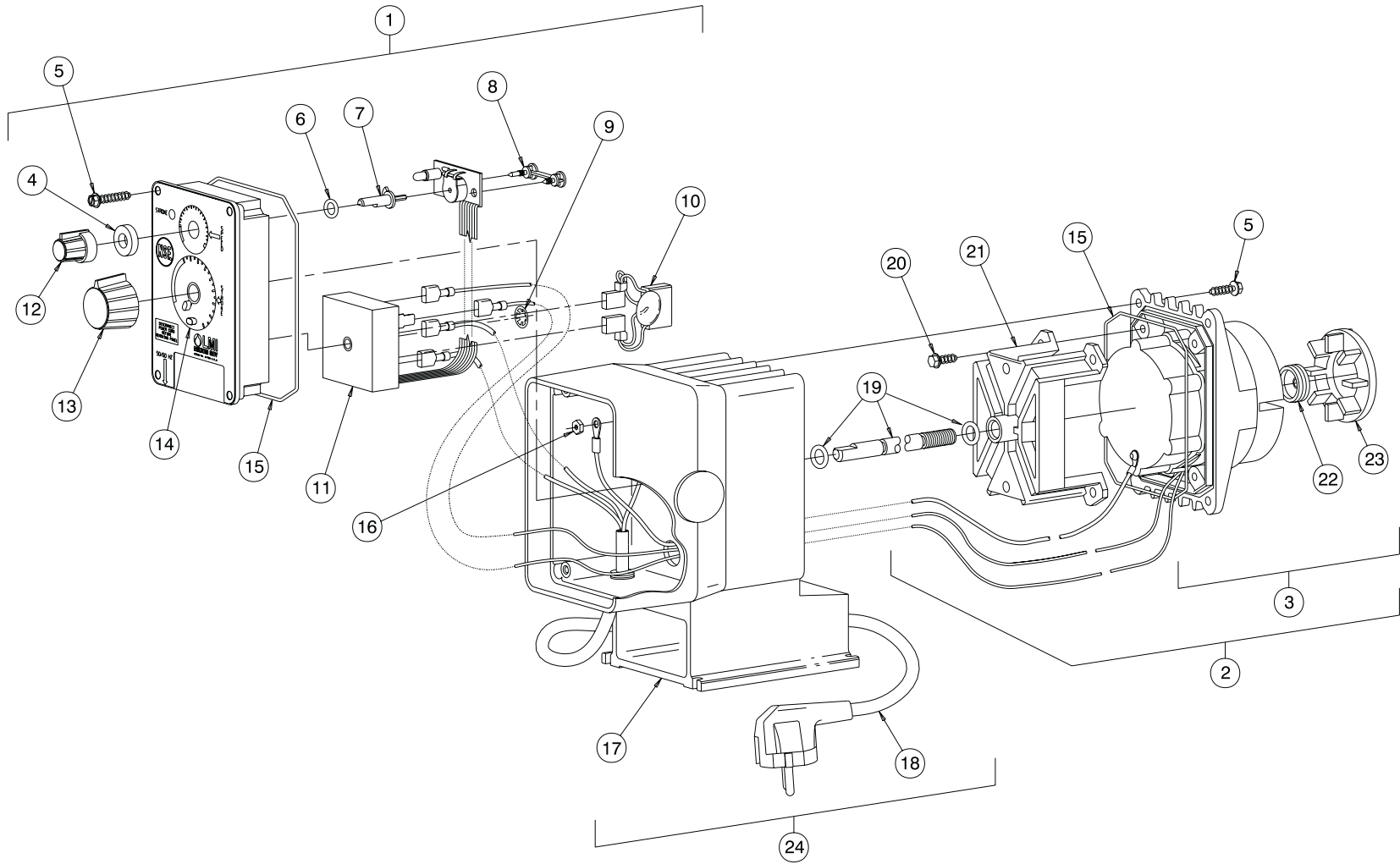
**Metering Pump Component Diagram**



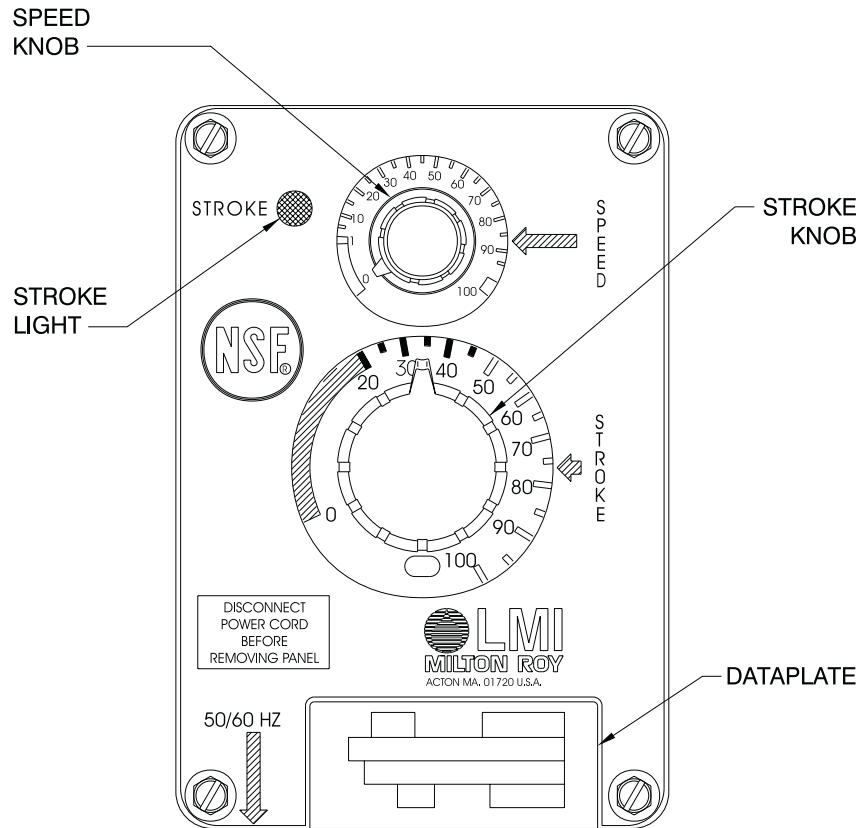
8 Post Office Square  
Acton, MA 01720 USA  
TEL: (508) 263-9800  
FAX: (508) 264-9172  
<http://www.lmipumps.com>



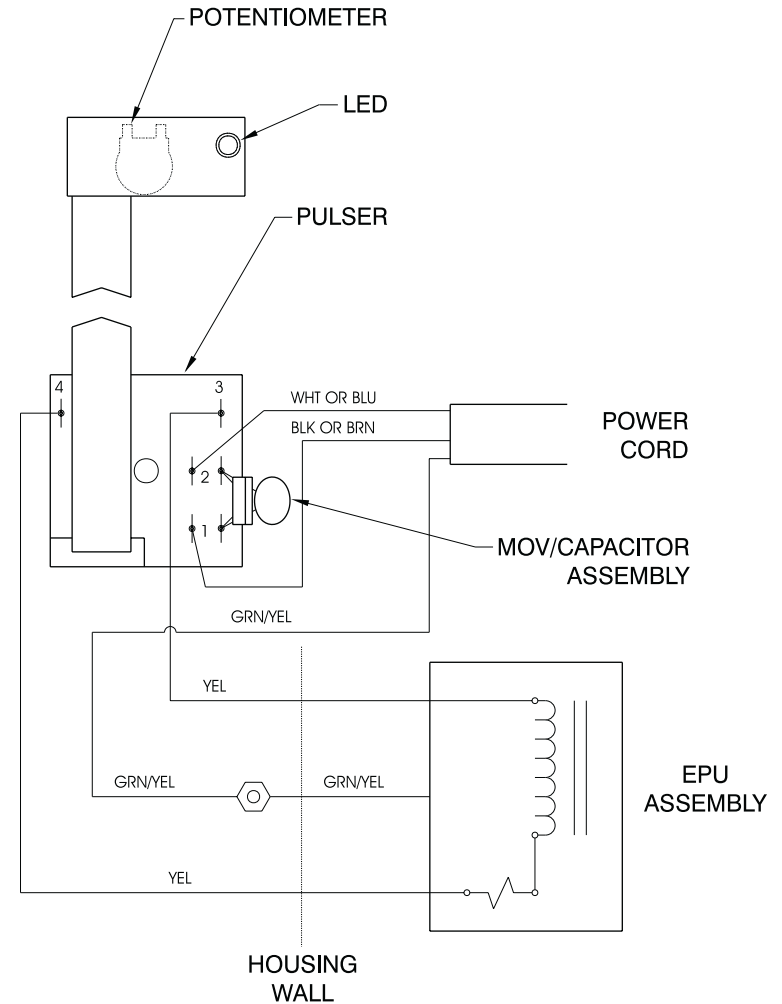
# Series A1 Drive Assembly Exploded View Diagram



## Series A1 Control Panel Detail



## Series A1 Wiring Diagram



## Series A1 Drive Assembly Parts List

NO	MODEL	PART NO	DESCRIPTION	QTY
1	A141, A151	36211	CONTROL PANEL ASM, 115V	1
	A143, A145, A147	36212	CONTROL PANEL ASM, 230-250V	1
	A153, A155, A157	36212	CONTROL PANEL ASM, 230-250V	1
	A161	36784	CONTROL PANEL ASM, 115V	1
	A163, A165, A167	36785	CONTROL PANEL ASM, 230-250V	1
	A171	36786	CONTROL PANEL ASM, 115V	1
	A173, A175, A177	36787	CONTROL PANEL ASM, 230-250V	1
	A181	36788	CONTROL PANEL ASM, 115V	1
A183, A185, A187	36789	CONTROL PANEL ASM, 230-250V	1	
2	A141	31915CE	EPU W/STROKE ADJ & DISK	1
	A143, A145, A147	31916CE	EPU W/STROKE ADJ & DISK	1
	A151	31911CE	EPU W/STROKE ADJ & DISK	1
	A153, A155, A157	31912CE	EPU W/STROKE ADJ & DISK	1
	A161	31913CE	EPU W/STROKE ADJ & DISK	1
	A163, A165, A167	31914CE	EPU W/STROKE ADJ & DISK	1
	A171	31917CE	EPU W/STROKE ADJ & DISK	1
	A173, A175, A177	31918CE	EPU W/STROKE ADJ & DISK	1
	A181	31919CE	EPU W/STROKE ADJ & DISK	1
	A183, A185, A187	31920CE	EPU W/STROKE ADJ & DISK	1
3	A141	28085CE	EPU W/DISK	1
	A143, A145, A147	28086CE	EPU W/DISK	1
	A151	27465CE	EPU W/DISK	1
	A153, A155, A157	27466CE	EPU W/DISK	1
	A161	27467CE	EPU W/DISK	1
	A163, A165, A167	27468CE	EPU W/DISK	1
	A171	29272CE	EPU W/DISK	1
	A173, A175, A177	29273CE	EPU W/DISK	1
	A181	29274CE	EPU W/DISK	1
	A183, A185, A187	29275CE	EPU W/DISK	1
4	A1	30803	GASKET	1
5	A1	30306	SCREW	8
6	A1	34497	O-RING	1

NO	MODEL	PART NO	DESCRIPTION	QTY
7	A1	35743	SPEED SHAFT	1
8	A1	35744	DUAL PIN	1
9	A1	10422	RETAINING RING	1
10	A141, A151, A161, A171, A181	35243	MOV/CAP ASM, 115V	1
	A143, A153, A163, A173, A183	35237	MOV/CAP ASM, 230V	1
	A145, A155, A165, A175, A185	35237	MOV/CAP ASM, 230V	1
	A147, A157, A167, A177, A187	35237	MOV/CAP ASM, 230V	1
11	A1	36255	PULSER	1
12	A1	30709	SPEED KNOB	1
13	A1	31890	STROKE KNOB ASM	1
14	A16	30374	STROKE DIAL	1
	A17	29269	STROKE DIAL	1
	A18	29268	STROKE DIAL	1
15	A1	10166	O-RING	2
16	A1	10191	NUT, 6-32	1
17	A1	30324	HOUSING	1
18	A141, A151, A161, A171, A181	29033CE	POWER CORD ASM, 115V	1
	A143, A153, A163, A173, A183	29042CE	POWER CORD ASM, 230V DIN	1
	A145, A155, A165, A175, A185	29044CE	POWER CORD ASM. 240V UK	1
	A147, A157, A167, A177, A187	29048CE	POWER CORD ASM, 230V SWISS	1
19	A1	31768	STROKE ADJUSTMENT SHAFT ASM	1
20	A1	32498	SCREW	4
21	A1	26838	STROKE ADJUSTMENT BRACKET	1
22	A1	10973	SEAL	1
23	A14, A17	29445	DISK, 0.5	1
	A15, A18	29437	DISK, 0.9	1
	A16	29442	DISK, 1.8	1
24	A141, A151, A161, A171, A181	30325CE	HOUSING ASM, 115V	1
	A143, A153, A163, A173, A183	30327CE	HOUSING ASM, 230V DIN	1
	A145, A155, A165, A175, A185	30328CE	HOUSING ASM, 240V UK	1
	A147, A157, A167, A177, A187	30330CE	HOUSING ASM, 230V SWISS	1