

### Electronic Metering Pumps

#### Configuration Data

Model **E74** **1** - **30**

##### Control & Output Code

###### Instrument Responsive/Manual Control

Explosion proof electromagnetic metering pumps. UL and CUL Listed, meets or exceeds all standards for Division 1 and 2, Class I, Groups C and D; Class II, Groups E, F, and G. Manual adjustment or switch conversion to external control for automatic systems.

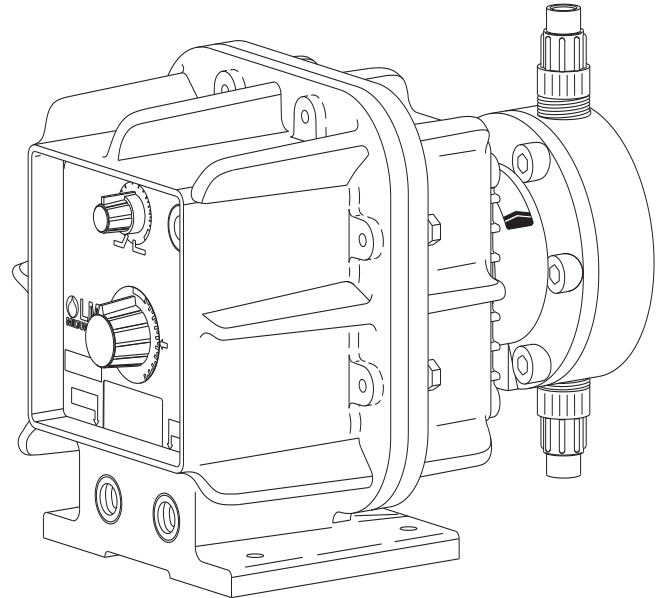
E70\* --- 1.3 GPH (4.9 l/h) .... 300 psi (20.7 Bar)  
 E71\* --- 2.5 GPH (9.5 l/h) .... 150 psi (10.3 Bar)  
 E72\* --- 4.0 GPH (15.1 l/h) .... 100 psi (6.9 Bar)  
 E73\* --- 8.0 GPH (30 l/h) ..... 60 psi (4.1 Bar)  
 E74\* ---20.0 GPH (76 l/h) ..... 25 psi (1.7 Bar)

##### Voltage Code

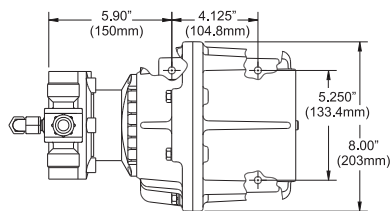
1 ----- 120 VAC Hardwired  
 2 ----- 240 VAC Hardwired

##### Liquid End

See next page for complete liquid end specifications & selection.



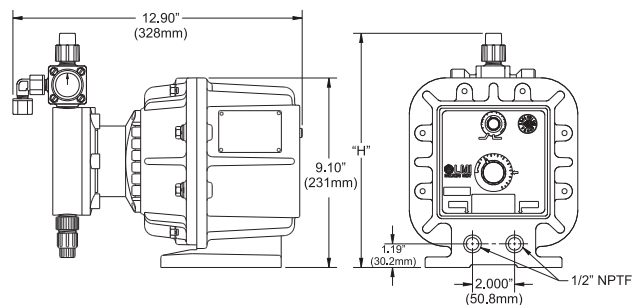
#### Dimensions



\* Dimensions shown are maximums for largest available Liquid End. Dimensions will vary depending on Liquid End selected.

#### Specifications

Series	Strokes per Minute (Adjustable)		Stroke Length (Adjustable) Recommended Minimum	Average Input Power @ Max Speed	Shipping Weight
	Min	Max			
E70*					
E71*					
E72*	5	100	10%	44 watts	(41 lbs) 18.6 kg
E73*					
E74*					



201 Ivyland Road  
 Ivyland, PA 18974 USA  
 TEL: (215) 293-0401  
 FAX: (215) 293-0445  
<http://www.lmipumps.com>

# Standard Liquid End Configuration Data & Materials of Construction

Drive Assembly	Liquid End No.	Size Code	Materials of Construction				Accessory	Tubing & Connections		
			Head & Fittings	Balls	Liquifram™	Check Valve		Discharge	Suction	
E70	498SP	0.9	PVC	Ceramic	Fluorofilm™	PVDF / Polyprel®	4FV	Pipe 1/2" NPT	M	
	297	0.9	316 S.S.	316 S.S.	Fluorofilm™	316 S.S.		Pipe 1/4" NPT	M	
E71	368SI	1.8	PVC	Ceramic	Fluorofilm™	PVDF / Polyprel®	4FV	PE .375" O.D.		
E72	362SI	1.8	PVDF / PVDF	Ceramic	Fluorofilm™	PVDF / Polyprel®	4FV	PE .375" O.D.		
	363SI	1.8	PVDF / PVDF	Ceramic	Fluorofilm™	PVDF / PTFE	4FV	PE .375" O.D.		
	460SI	1.8	Acrylic / PVC	Ceramic	Fluorofilm™	PVDF / Polyprel®	4FV	PE .375" O.D.		
	465SI	1.8	Polypropylene	Ceramic	Fluorofilm™	PVDF / PTFE	4FV	PE .5" O.D.		
	468SI	1.8	PVC/PVC	Ceramic	Fluorofilm™	PVDF / Polyprel®	4FV	PE .375" O.D.		
	469SI	1.8	Acrylic/PVDF	PTFE	Fluorofilm™	PVDF / Polyprel®	4FV	PE .375" O.D.		
	277	1.8	316 S.S.	316 S.S.	Fluorofilm™	316 S.S.		Pipe 1/4" NPT	M	
	75HV	1.8	Polypropylene	316 S.S.	Fluorofilm™	PTFE		PE .5" O.D. Vinyl .938" O.D.		
	76HV	1.8	Acrylic / PP	316 S.S.	Fluorofilm™	Hypalon®		PE .5" O.D. Vinyl .938" O.D.		
	E73	312SI#	3.0	PVDF / PVDF	Ceramic	Fluorofilm™	PVDF / Polyprel®	4FV	PE .5" O.D.	
313SI#		3.0	PVDF / PVDF	Ceramic	Fluorofilm™	PVDF / PTFE	4FV	PE .5" O.D.		
318SI#		3.0	PVC / PVC	Ceramic	Fluorofilm™	PVDF / Polyprel®	4FV	PE .5" O.D.		
410SI#		3.0	Acrylic / PVC	Ceramic	Fluorofilm™	PVDF / Polyprel®	4FV	PE .5" O.D.		
418SI#		3.0	PVC / PVC	Ceramic	Fluorofilm™	PVDF / Polyprel®	4FV	PE .5" O.D.		
419SI#		3.0	Acrylic/ PVDF	PTFE	Fluorofilm™	PVDF / Polyprel®	4FV	PE .5" O.D.		
20		3.0	Acrylic / PVC	Ceramic	Fluorofilm™	Hypalon®		PE .5" O.D. Vinyl .5" O.D.		
20HV		3.0	Acrylic / PP	316 S.S.	Fluorofilm™	Hypalon®		PE .5" O.D. Vinyl .938" O.D.		
20S		3.0	Acrylic / PVC	Ceramic	Fluorofilm™	Hypalon®	4FV	PE .5" O.D. Vinyl .5" O.D.		
24		3.0	PVC	Ceramic	Fluorofilm™	PTFE		Pipe 1/2" NPT	M	
25HV		3.0	Polypropylene	316 S.S.	Fluorofilm™	PTFE		PE .5" O.D. Vinyl .938" O.D.		
25P		3.0	Polypropylene	Ceramic	Fluorofilm™	PTFE		Pipe 1/2" NPT	M	
25T		3.0	Polypropylene	Ceramic	Fluorofilm™	PTFE		PE .5" O.D.		
26		3.0	PVC	Ceramic	Fluorofilm™	Viton®		PE .5" O.D.		
26S		3.0	PVC	Ceramic	Fluorofilm™	Viton®	4FV	PE .5" O.D.		
27		3.0	316 S.S.	316 S.S.	Fluorofilm™	PTFE		Pipe 1/2" NPT	M	
29		3.0	UHMW PE	Ceramic	Fluorofilm™	Hypalon®		PE .5" O.D.		
E74		30	6.0	Acrylic / PVC	Ceramic	Fluorofilm™	PTFE		PE .5" O.D. Vinyl .5" O.D.	
		34	6.0	PVC	Ceramic	Fluorofilm™	PTFE		Pipe 1/2" NPT	M
		35P	6.0	Polypropylene	Ceramic	Fluorofilm™	PTFE		Pipe 1/2" NPT	M
	35T	6.0	Polypropylene	Ceramic	Fluorofilm™	PTFE		PE .5" O.D.		
	36	6.0	PVC	Ceramic	Fluorofilm™	PTFE		PE .5" O.D.		
	37	6.0	316 S.S.	316 S.S.	Fluorofilm™	PTFE		Pipe 1/2" NPT	M	

# - These liquid ends use 3/8" diameter valve balls. Pump output may be reduced in some applications.

NOTE: 1. Pumps are rated for: Class I, Division I, Groups C & D; Class II, Division I, Groups E, F, and G

See front page for voltage code specifications. **3FV** indicates that the pump is equipped with an LMI Three Function Valve (pressure relief, priming aid, line drain). To specify 3FV, change "S" to "T". **4FV** indicates that the pump is equipped with an LMI Four Function Valve. This diaphragm type anti-siphon/pressure relief valve is installed on the pump head. It provides anti-siphon protection and aids in priming, even under pressure.

## Output Information

Series	Gallons per Hour		Liters per Hour		mL/cc per Minute		mL/cc per Stroke		Maximum Injection Pressure	
	Min	Max	Min	Max	Min	Max	Min	Max		
E70*	0.007	1.3	0.025	4.9	0.41	82	0.08	0.82	300 psi	(20.7 Bar)
E71*	0.013	2.5	0.048	9.5	0.79	158	0.16	1.58	150 psi	(10.3 Bar)
E72*	0.020	4.0	0.076	15.1	1.26	252	0.25	2.52	100 psi	(6.9 Bar)
E73*	0.040	8.0	0.151	30.0	2.52	505	0.50	5.05	60 psi	(4.1 Bar)
E74*	0.100	20.0	0.380	76.0	6.33	1267	1.27	12.67	25 psi	(1.7 Bar)

\* Minimum output can be reduced to zero (0) when in external mode.